

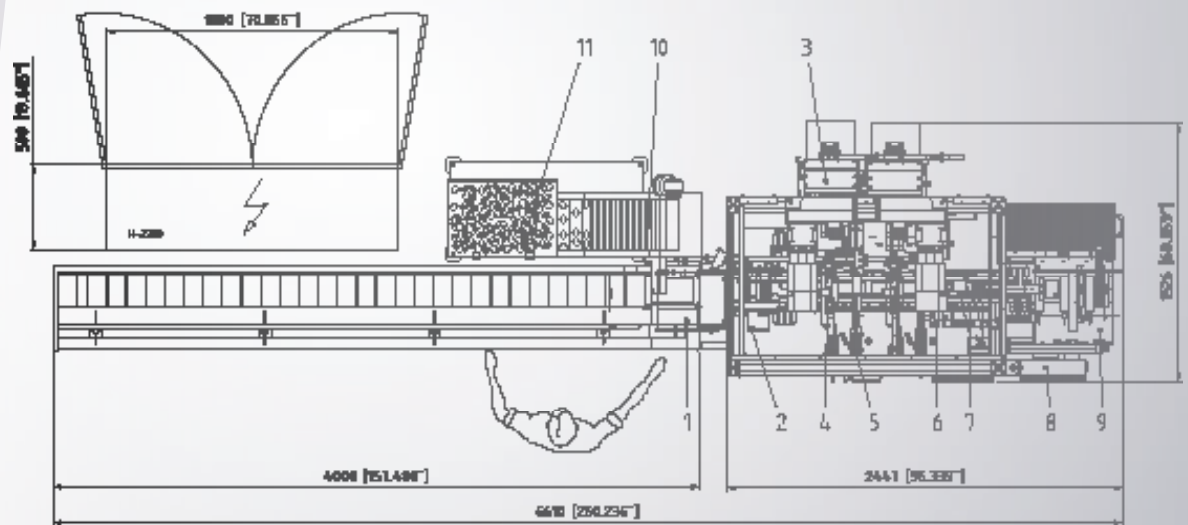


Cartridge Filler CF 100

 **SCHWERDTEL**

- Fully automatic double head cartridge filling and closing unit
- For metal, cardboard and plastic cartridges
- Tool free exchange of product contacted parts
- Perfect and easy adjustment according to product characteristics
- Output: up to 100 cartridges per minute

- 1 Cartridge Infeed
- 2 Cartridge Separating
- 3 Dosing Unit
- 4 Filling Station
- 5 Plunger Inserting Station
- 6 Plunger Control
- 7 Operator Panel
- 8 Turning Station
- 9 Cartridge Discharge
- 10 Plunger Elevator
- 11 Plunger Hopper



Technical Data

Machine Type

Dimensions (L x W x H) [mm]/[inch]
Weight [kg]/[lb US]
Output [cpm]
Cartridge Type

Automatic Cartridge Filler CF SplitStream

6.610 x 1.526 x 2.148 / 260 x 60 x 84,6
1.885 / 4,155
up to 100, depending on product pressure and viscosity
aluminium, plastic, composit cartridges (310 ml)

Electrical Connections

Voltage
Power Requirement [kVA]
Control System
IP Rating

3 x 400V, 50Hz (or according to local requirements)
57
Siemens SPS S7-300
IP 44

Compressed Air Connections

Air Pressure [bar]/[psi]
Air Consumption [Nm³h @ 100
cartridges /minute]

min. 6 / 87
approx. 80



Ludwig Schwerdtel GmbH · Boschstrasse 8
D-85757 Karlsfeld near Munich
Tel: +49 8131 9006-0 · Fax: +49 8131 97211
info@schwerdtel.de · www.schwerdtel.de